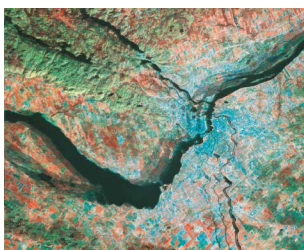




## 23.5" Monitor with 240 Hz Refresh Rate for Clear, Stable Satellite Images

### Blur Reduction with 240 Hz Refresh Rate

The monitor converts 120 Hz input signals to 240 Hz to reduce ghosting and blurring that is caused during frame changes. This greatly improves sharpness and visibility and reduces eye fatigue that occurs when viewing scrolling or moving images.



Standard monitor



Blur Reduction with 240 Hz

### Stabilized Display and Uniform Color

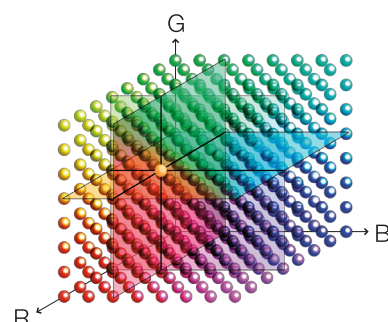
EIZO's patented drift correction circuit quickly stabilizes the screen brightness level within minutes after startup or when returning from power save mode. In addition, EIZO's Digital Uniformity Equalizer (DUE) technology counteracts fluctuations in brightness and chromaticity on different parts of the screen for smoother and more stable image display.

### EPD Image Support

Defined by the National Geospatial Intelligence Agency, EPD (Equal Probability of Detection) gamma displays subtle variations in tones more clearly in undefined areas and distinguishes flat terrain in satellite images. The EPD preset mode ensures that each gradient step between black and white can be detected and defines objects and details that would otherwise remain difficult to see.

### Accurate Color with 3D LUT

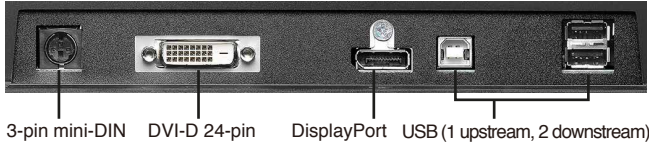
A 3D LUT is included to adjust colors individually on an RGB cubic table. This improves the monitor's additive color mixture (combination of RGB), which is a key factor in its ability to display neutral gray tones found in satellite imagery.



## Display 3D Content

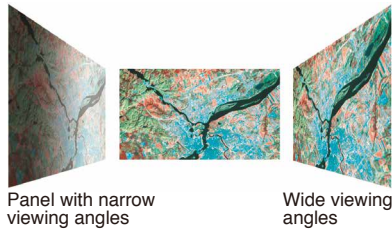
The monitor is equipped with a 3-pin mini-DIN connector using a 120 Hz signal so you can display 3D content. It utilizes an active shutter 3D system that synchronizes the high-speed refresh rate of the monitor with the signal from 3D glasses to produce 3D images.

*IR emitter, 3D glasses, and graphics board supporting 120 Hz are required to view 3D content.*



## High Visibility

The wide 176° viewing angles exhibit minimal color shift and contrast change even when viewed from an angle, ensuring accurate color reproduction all the way to the corners of the screen. The high contrast ratio of 5000:1 combined with a brightness of 350 cd/m<sup>2</sup> gives the monitor excellent visibility. The non-glare screen also dissipates reflective light for high readability in bright ambient conditions.



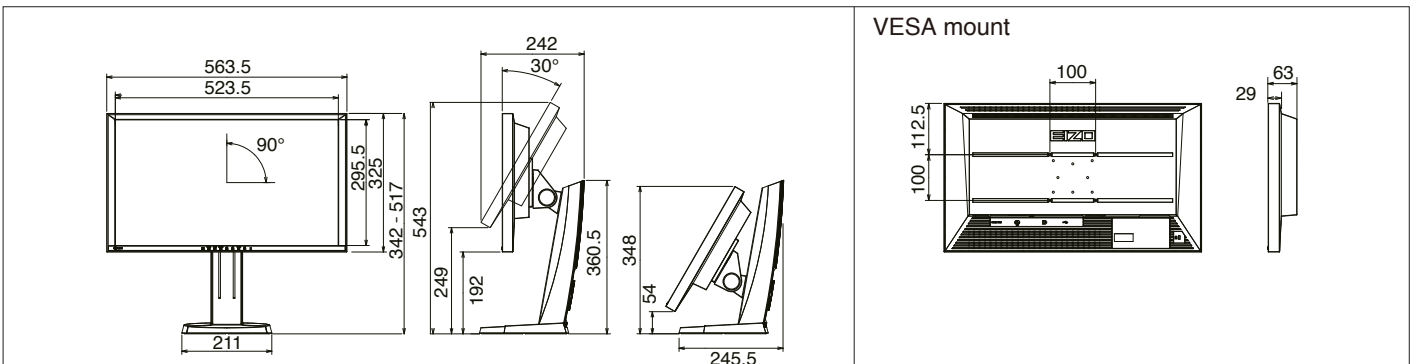
## Versatile Positioning

The monitor comes with a versatile stand that offers up to 194 mm of height adjustment, 30° upward tilt, and 172° left and right swivel capability as well as portrait mode display so you can adjust the screen to the most comfortable position.



- 2 x USB port
- Screen Manager Pro utility software
- Quiet fanless operation
- Energy-efficient LED backlight
- Backed by a 2-year, 24-hour use warranty

## ■ Dimensions



## SPECIFICATIONS

|   |   |
|---|---|
| Cabinet Color                             | Black   |
| Panel Type                                | VA  |
| Backlight                                 | LED   |
| Panel Size                                | 23.5" / 59 cm (598 mm diagonal)   |
| Native Resolution                         | 1920 x 1080   |
| Display Size (H x V)                      | 521.2 x 293.2 mm  |
| Pixel Pitch                               | 0.2715 x 0.2715 mm  |
| Grayscale Tones                           | 256 tones (a palette of 1021 tones)   |
| Display Colors                            | DisplayPort: 1.07 billion (10-bit)<br>DVI: 16.77 million (8-bit)  |
| Viewing Angles (H / V, typical)           | 176°, 176°  |
| Brightness (typical)                      | Blur reduction ON: 350 cd/m <sup>2</sup><br>Blur reduction OFF: 450 cd/m <sup>2</sup>   |
| Contrast Ratio (typical)                  | 5000:1  |
| Response Time (typical)                   | 4 ms (Gray to gray)   |
| Video Input Terminals                     | DVI-D 24 pin (with HDCP), DisplayPort (with HDCP)   |
| Digital Scanning Frequency (H / V)        | 26 - 140 kHz, 59.0 - 122.0 Hz (VGA Text: 69 - 71 Hz)  |
| USB Function                              | 1 port for monitor control<br>2-port USB hub  |
| USB Standard                              | USB 2.0   |
| Audio Output Terminal                     | 3-pin mini-DIN x 1  |
| Power Requirements                        | AC 100 - 120 V / AC 200 - 240 V, 50 / 60 Hz   |
| Power Consumption (Maximum / Typical)     | 70 W / 34 W   |
| Power Save Mode / Standby Mode            | Less than 0.7 W / Less than 0.5 W   |
| Power Management                          | DVI DMPM, Auto EcoView  |
| Brightness Stabilization                  | Yes   |
| Preset Modes                              | User1 (EPD), User2, User3, Paper  |
| Digital Uniformity Equalizer              | Yes   |
| Auto EcoView                              | Yes (Default: Disabled)   |
| OSD Languages                             | English, French, German, Italian, Japanese, Simplified and Traditional Chinese, Spanish, Swedish  |
| Others                                    | Color (Brightness, Black level, Saturation, Hue, Temperature, Gamma, Gain, Outline Enhancer, Blur Reduction, 6 colors), Screen Size, Power Save, AutoEcoView, Indicator, Language, Orientation, Menu Position, Input Selection, Mode Preset, Signal Info, Monitor Info, Reset |
| Dimensions (Landscape, W x H x D)         | 563.5 x 342 - 517 x 245.5 mm  |
| Dimensions (Without Stand, W x H x D)     | 563.5 x 325 x 63 mm   |
| Net Weight (With / Without Stand)         | 8.4 kg / 5.8 kg   |
| Height Adjustment Range / Tilt / Swivel   | 175 mm / 30° Up, 0° Down / 172° Right, 172° Left  |
| Hole Spacing (VESA Standard)              | 100 x 100 mm  |
| Operating Temperature                     | 5 - 35 °C   |
| Operating Humidity (R.H., non condensing) | 20 - 80 %   |
| Certifications & Standards                | CB, CE, cTUVus, FCC-B, Canadian ICES-003-B, TUV/S, VCCI-B, CCC, C-tick, GOST-R, RoHS, WEEE, China RoHS  |
| Supplied Accessories                      | Power cord, Signal cable (DVI-D - DVI-D (Dual Link), DP - DP), USB cable, Setup Manual, CD-ROM (PDF user's manual)  |
| Warranty                                  | Two Years   |

## EIZO Corporation

153 Shimokashiwano, Hakusan, Ishikawa 924-8566 Japan  
Phone +81-76-277-6792 Fax +81-76-277-6793

www.eizo.com

All product names are trademarks or registered trademarks of their respective companies. DuraVision and EIZO are registered trademarks of EIZO Corporation. Specifications are subject to change without notice.

Copyright © 2013 EIZO Corporation. All rights reserved.