

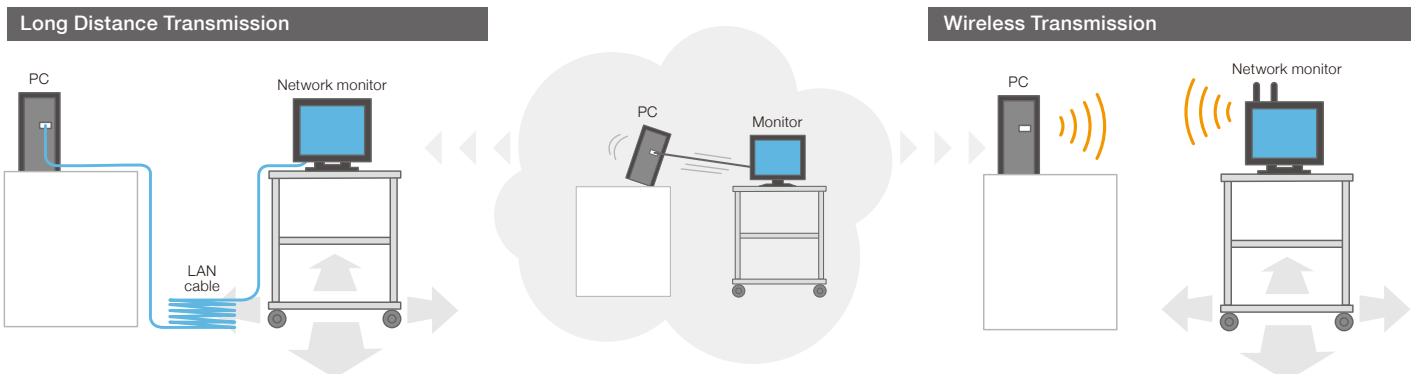
Network monitors that offer long distance and wireless transmission of signals to a PC

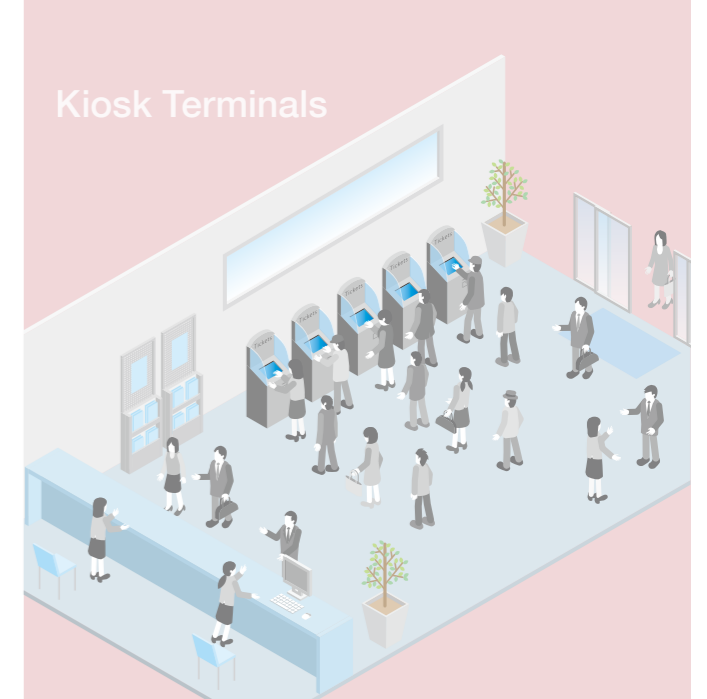
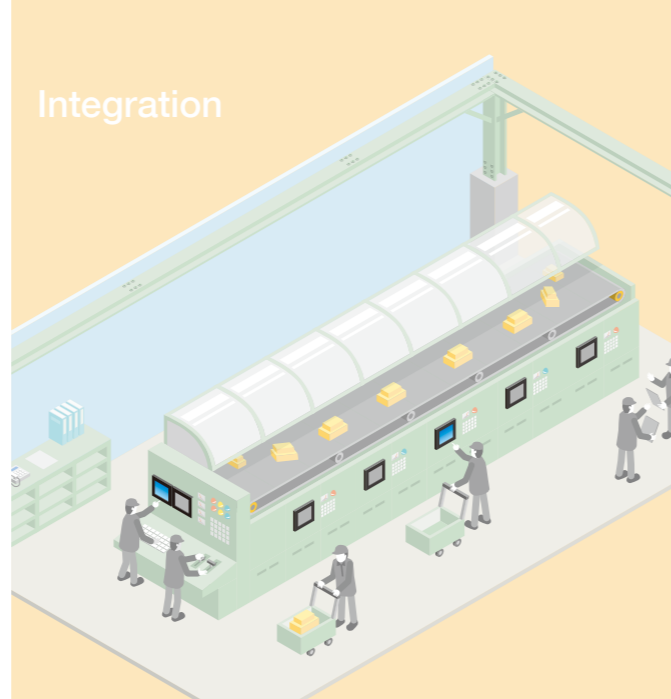
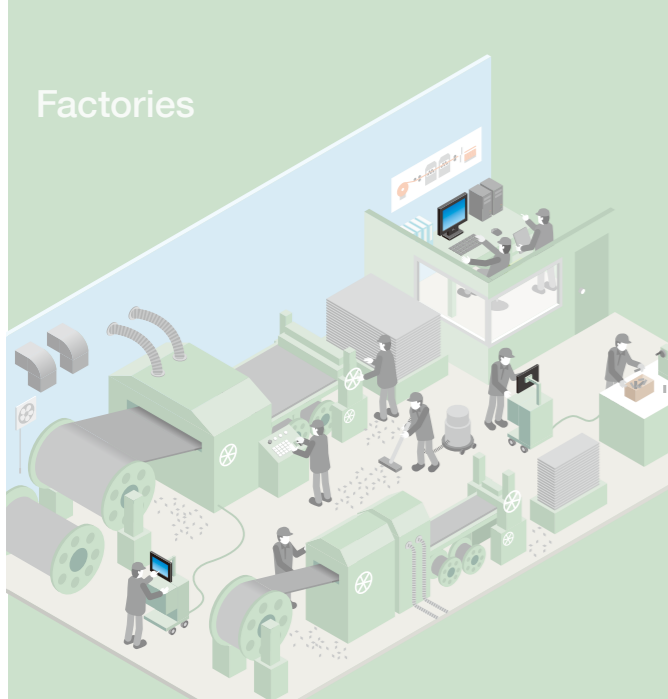
Long Distance Transmission

Easily connect to a remote PC via a single LAN cable. Sound and images can be sent smoothly over the gigabit Ethernet, and keyboard, mouse and touch panel operations can be performed via the LAN cable. Signals are packetized to ensure stable display with no noise or image quality deterioration. The use of an easily-wired long, thin LAN cable offers more flexibility in how the PC and monitor are installed, and lightens the installation load.

Wireless Transmission

The monitor can be connected with a PC via a wireless LAN. It offers a flexible solution when there is no space to install a PC and it is physically impossible to wire a cable, or when the PC or monitor is frequently moved. The wireless LAN conforms to the IEEE802.11n standard, offering high-speed wireless transmissions at up to 300 Mbps (theoretical value) for stress-free video display and touch panel operation.



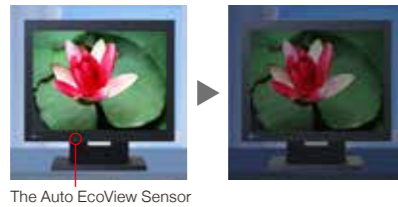


Install in Various Locations

These monitors can be installed in spaces where heat dissipation, dust or security issues would make it difficult to install a PC, and also in spaces that would be hard to wire, such as suspended from the ceiling or hanging on a wall. It is now possible to install a workflow management system in factories and other places that had previously been unable to use computers. The simpler wiring also helps to reduce installation, relocation and removal costs.

Clear and Bright Display

Maximum brightness of the FDX1502N is 400 cd/m² (320 cd/m² for the FDX1502NT) so content can be checked easily even in bright environments. The monitor comes with a function to automatically adjust the screen brightness according to the ambient brightness, so the screen is always easy to see, even in environments where the illumination can change dramatically.



The Auto EcoView Sensor

24-Hours/Day, 2-Year Use

Highly reliable and with a two-year guarantee for continuous round-the-clock use.

EIZO LCD monitors are designed for durability. We have a rigorous quality control system, to guarantee a long life for our products. It includes a 10m anechoic chamber that serves as our in-house EMC verification and measurement environment and a long-life laboratory to check the condition of our products.



Compatible with the Main LAN Standards

These monitors are compatible with the main LAN standards and can be used in a variety of different systems.

Compatible standards

Cable LAN	10BASE-T/100BASE-TX/1000BASE-T
Wireless LAN	IEEE802.11 a/b/g/n

2.4 DS/OF 4

The frequency band used by this device is also used by microwave ovens and other industrial, scientific and medical devices. Furthermore it is used in factory lines by the premises radio stations (license required) and specified low power radio stations (no license required) used for identifying moving objects, and it is also used by amateur radio stations (license required).
 1. Before using this device please check that no premises radio stations or specified low power radio stations used for identifying moving objects, or any amateur radio stations, are operating in the vicinity.
 2. If by any chance this device causes harmful radio wave interference to a premises radio station used for identifying moving objects, immediately change the frequency band being used or stop the emission of radio waves, please contact the EIZO group company or distributor in your country for advice on measures to avoid interference (for example, by installing partitions).
 3. In addition, if a problem such as harmful radio wave interference to a specified low power radio station used for identifying moving objects or to an amateur radio station occurs, please contact the EIZO group company or distributor in your country.

IEEE802.11b/g/n
 IEEE802.11a/n
 W52 W53 W56

Environmentally-Resistant Design

Handles a wide range of operating temperatures and humidity: 0–50°C (–40°C for the 17-inch models), and 20–90% R.H. There is no vent on top, making it hard for dust or debris to get inside.

Simple Design

Designed with a built-in power source that does not require an adapter connection, and without any drives such as an HDD or fan. Ideal for inclusion in apparatus or use in a factory system.

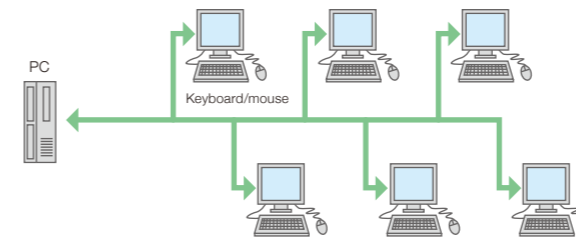
Compliant with Wireless Directives and Environmental Standards

Acquired certification of conformance with the R & TTE and FCC/IC directives, which conform to radio laws and are the certification standards in many countries. Also complies with the leading environmental and safety standards, and can safely be incorporated with devices such as industrial machinery.

Multiple Monitor Use

A single PC can be connected to a maximum of 6 network monitors, and mouse, keyboard and touch panel operations can be performed at each monitor. The same PC can be used for reference or operated from various locations, and it is also possible for limited PC operations (exclusion operations) to be performed from any designated network monitor.

A maximum of 6 network monitors can be connected



* Windows 7 mirror display is possible on a maximum of 2 monitors.

Noise Prevention

Data is packetized and transmitted so it does not deteriorate even when passing through a long LAN cable, enabling images and sound to be accurately reproduced. In addition, using a long thin LAN cable enables remote control of the PC and great flexibility in the wiring set-up, so it is possible to prevent the electromagnetic waves generated by the PC and cable from affecting other devices.

Managing the Connection

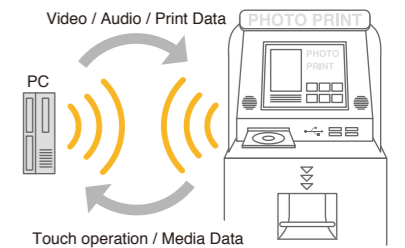
Dedicated software is used to handle the connection/disconnection of each network monitor, and to check their connection status.

Key Lock Supported

Inadvertent changes to display settings are averted by disabling the control buttons on the front of the monitors.

Connect to USB Devices

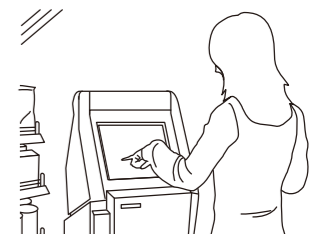
Connect to USB memory, printers, or a DVD drive via the USB port on a single machine, enabling multiple kiosks access through the network without having to equip each PC individually.



Only available while connected to a network.

Analog Resistive Touch Panel

The FDS1702NT and FDX1502NT come with an analog resistive touch panel which accepts touch input from bare and gloved hands as well as pens. It rarely reacts by mistake to foreign objects such as dust or to being under light sources, making it reliable and stress-free to use.



Can only be used when connected to the network.

Built-in Speakers

Installed with stereo speakers. Image and sound signals sent from the PC via the LAN can be played back on a monitor without having to provide separate speakers.

Two Colors Available

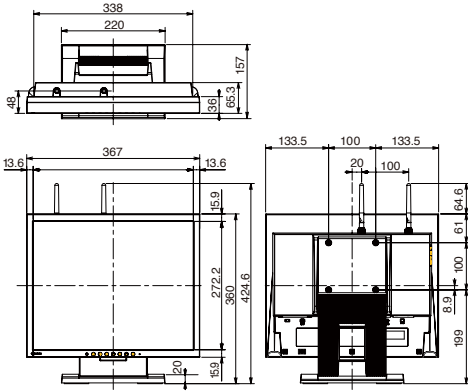


Black

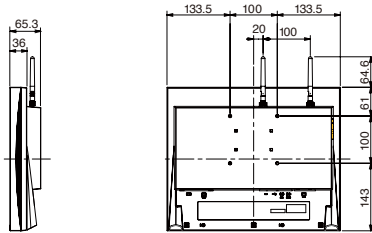
Gray

Dimensions (mm)

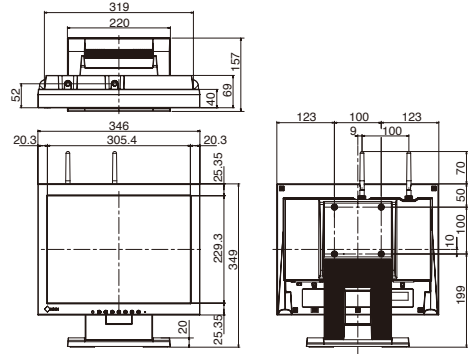
17-inch with Stand



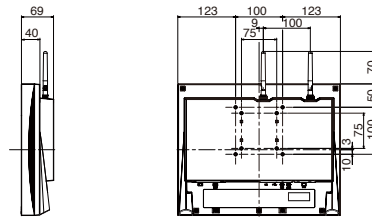
17-inch Vesa Mount (No Stand)



15-inch with Stand



15-inch Vesa Mount (No Stand)



SPECIFICATIONS

	Without Touch Panel		With Touch Panel	
	FDS1702N	FDS1702NT	FDX1502N	FDX1502NT
Model Variations	With Stand, Without Stand		With Stand, Without Stand	
Cabinet Colors	Gray, Black		Gray, Black	
Panel Type	TN		TN	
Panel Size	17" / 43 cm (432 mm diagonal)		15" / 38 cm (380 mm diagonal)	
Native Resolution	1280 x 1024 (5:4 aspect ratio)		1024 x 768 (4:3 aspect ratio)	
Display Size (H x V)	337.9 x 270.3 mm		304.1 x 228 mm	
Pixel Pitch	0.264 x 0.264 mm		0.297 x 0.297 mm	
Display Colors	16.7 million		16.2 million	
Viewing Angles (H / V, typical)	170°, 160°		160°, 140°	
Brightness (typical)	250 cd/m ²	190 cd/m ²	400 cd/m ²	320 cd/m ²
Contrast Ratio (typical)	1000:1		700:1	
Response Time (typical)	5 ms (Black-white-black)		8 ms (Black-white-black)	
Touch Panel Type	-	Four-wire analog resistive	-	Five-wire analog resistive
Communication Protocol	-	USB (internal connection)	-	USB (internal connection)
Touch Life	-	10 million touches (minimum)	-	35 million touches (minimum)
Surface Hardness	-	2H	-	2H
Touch Panel Compatible OS	-	Windows 7 (32-bit, 64-bit) / Vista (32-bit) / XP (32-bit)	-	Windows 7 (32-bit, 64-bit) / Vista (32-bit) / XP (32-bit)
Video Input Terminals	RJ-45 x 1, D-Sub mini 15 pin x 1		RJ-45 x 1, D-Sub mini 15 pin x 1	
Analog Scanning Frequency (H / V)	24.8 - 80 kHz, 56 - 75 kHz		24.8 - 60.1 kHz, 55 - 75.1 kHz	
Network Compatible OS	Windows 7 (32-bit, 64-bit) / Vista (32-bit, 64-bit) / XP (32-bit)		Windows 7 (32-bit, 64-bit) / Vista (32-bit, 64-bit) / XP (32-bit)	
Wired LAN	100BASE-T / 100BASE-TX / 10BASE-T		1000BASE-T / 100BASE-TX / 10BASE-T	
Wireless LAN	IEEE802.11b / g / a / n		IEEE802.11b / g / a / n	
USB Function	2-port USB hub *		2-port USB hub *	
USB Standard	USB 2.0		USB 2.0	
Speakers	0.5 W + 0.5 W *		0.5 W + 0.5 W *	
Audio Input Terminals	RJ-45 x 1, 3.5 mm stereo jack x 1		RJ-45 x 1, 3.5 mm stereo jack x 1	
Audio Output Terminals	3.5 mm headphone jack x 1		3.5 mm headphone jack x 1	
Sound Adjustment	Volume		Volume	
Power Requirements	AC 100 - 120 V / 200 - 240 V, 50 / 60 Hz		AC 100 - 120 V / 200 - 240 V, 50 / 60 Hz	
Maximum Power Consumption	41 W		31 W	
Power Save Mode	Less than 8 W		Less than 8 W	
Standby Mode	Less than 0.5 W		Less than 0.5 W	
Power Management	Off Timer		Off Timer	
Preset Modes	Custom, EyeCare, sRGB, Text		Custom, EyeCare, sRGB, Text	
Auto EcoView	Yes		Yes	
OSD Languages	English, French, German, Italian, Japanese, Simplified and Traditional Chinese, Spanish, Swedish		English, French, German, Italian, Japanese, Simplified and Traditional Chinese, Spanish, Swedish	
Others	Screen Adjustment (Clock, Phase, Position, Range (Auto), Smoothing (5 stages), Color Adjustment (Brightness, Contrast, Temperature, Gain, Reset, Color Mode), Signal Switching, Power Indicator, Product Information (name, serial number, resolution, operating time, etc.), OSD Menu Position, Reset		Screen Adjustment (Clock, Phase, Position, Range (Auto), Smoothing (5 stages), Color Adjustment (Brightness, Contrast, Temperature, Gain, Reset, Color Mode), Signal Switching, Power Indicator, Product Information (name, serial number, resolution, operating time, etc.), OSD Menu Position, Reset	
Dimensions (Landscape, W x H x D)	367 x 360 x 157 mm		346 x 349 x 157 mm	
Dimensions (Without Stand, W x H x D)	367 x 304 x 65.3 mm		346 x 280 x 69 mm	
Net Weight	6.2 kg	6.7 kg	5.6 kg	6.1 kg
Net Weight (Without Stand)	3.8 kg	4.3 kg	3.2 kg	3.7 kg
Tilt	30° Up, 0° Down		30° Up, 0° Down	
Hole Spacing (VESA Standard)	100 x 100 mm		100 x 100 mm / 75 x 75 mm	
Temperature	0 - 40 °C		0 - 50 °C	
Humidity (R.H., non condensing)	20 - 90 %		20 - 90 %	
Certifications & Standards	CE, RoHS, WEEE, cTUVus, CB, FCC-A, Canadian ICES-003-A, RSS, VCCI-A, China RoHS		CE, RoHS, WEEE, cTUVus, CB, FCC-A, Canadian ICES-003-A, RSS, VCCI-A, China RoHS	
Wireless Networks Certifications	JATE, TELEC, R&TTE, FCC/IC		JATE, TELEC, R&TTE, FCC/IC	
Supplied Accessories	setup manual, CD-ROM (NetDA manager, PDF user's manual), screws for mount option (free mount only), clamper	setup manual, CD-ROM (NetDA manager, Touch panel driver, PDF user's manual), screws for mount option (free mount only), clamper	setup manual, CD-ROM (NetDA manager, PDF user's manual), screws for mount option (free mount only), clamper	setup manual, CD-ROM (NetDA manager, Touch panel driver, PDF user's manual), screws for mount option (free mount only), clamper
Warranty	Two Years		Two Years	

*Only available when connected to a network.
With current LCD technology, a panel may contain a limited number of missing or flickering pixels.

EIZO Corporation

153 Shimokashiwano, Hakusan, Ishikawa 924-8566 Japan
Phone +81-76-277-6792 Fax +81-76-277-6793
www.eizo.com

All product names are trademarks or registered trademarks of their respective companies.
DuraVision and EIZO are registered trademarks of Eizo Corporation.
Specifications are subject to change without notice.