

FDU2603W



FDU2603WT

## Panel Mount Marine Monitors with LED Backlight for ECDIS / RADAR Applications

### Durable and Reliable

The FDU2603W and FDU2603WT offer durability for use in harsh maritime environments, complying with the conditions for temperature, humidity, and vibration as defined in the IEC 60945 international standard for maritime navigation and radio communication equipment and systems. IP65 rating ensures they can withstand dust ingress and are protected against low-pressure water jets. A coating is applied to make the electronic substrates moisture-proof and the cooling fan is easily accessible for exchanging purposes.

### Approval from Classification Societies

The monitors meet the requirements for major maritime classifications. They come standard with approvals for LR (UK), DNV (Norway), ABS (USA), and ClassNK (Japan). Additional certifications for GL (Germany), BV (France), KR (Korea), and CCS (China) are available on request.

### Long-Lasting LED Backlight

The monitors are equipped with an LED backlight. Compared to conventional CCFL backlights, LED backlights last longer and consume less power. They are also mercury-free for minimal impact on the environment.

### Calibrated for ECDIS

Backlight brightness, gamma, and RGB color settings are calibrated at the factory so each monitor achieves accurate color reproduction for meeting the highly specialized requirements of ECDIS systems. Both monitors meet IEC 61174, IEC 62288, and IEC 62388 international standards for ECDIS and RADAR applications.

### Wide Dimming Range

The wide dimming range of less than 1 cd/m<sup>2</sup> up to 490 cd/m<sup>2</sup> (470 cd/m<sup>2</sup> for the FDU2603WT) allows you to adjust to the appropriate brightness level for viewing during the day or at night.

### Clear View

The VA panel features wide viewing angles that minimize changes in contrast and gradation to maintain excellent visibility when the screen is viewed from the side. An AR coating is applied to reduce the amount of reflections on the screen for a clear display.

### Touch Panel Model

The FDU2603WT features a projected capacitive touch panel that accepts touch input from a bare hand or special stylus and supports multi-touch operation. It is also highly resistant to dust and water droplets to minimize unintended input.

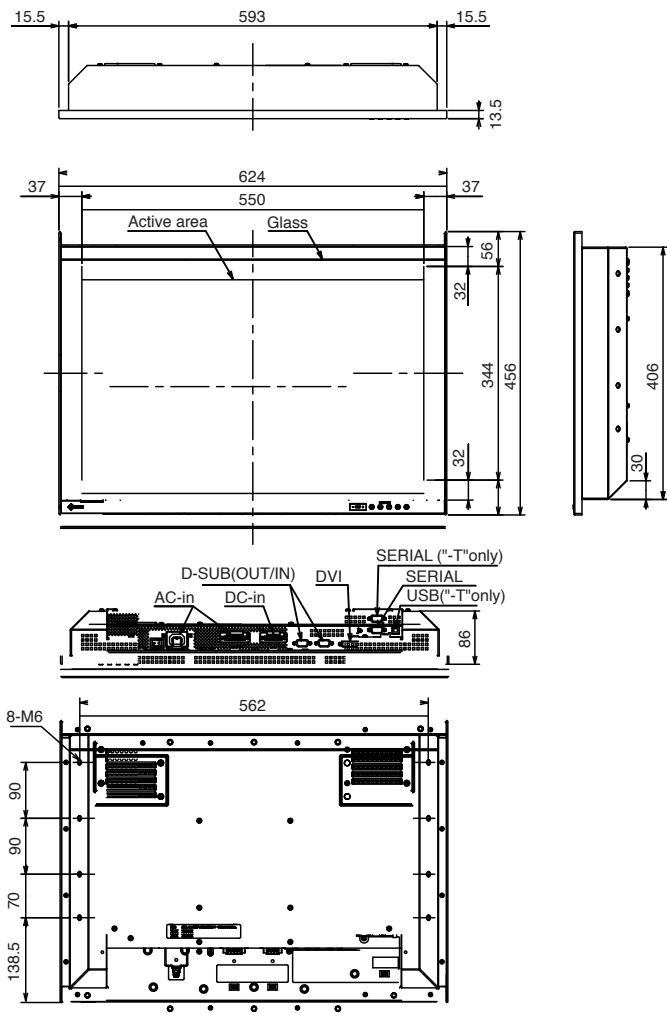
### Optical Bonding for High Visibility

Optional optical bonding is available for both models. Optical bonding significantly reduces reflective light for high visibility even when the screen is viewed in direct sunlight. A screen with optical bonding is also more resistant to applied pressure, giving it increased physical durability.

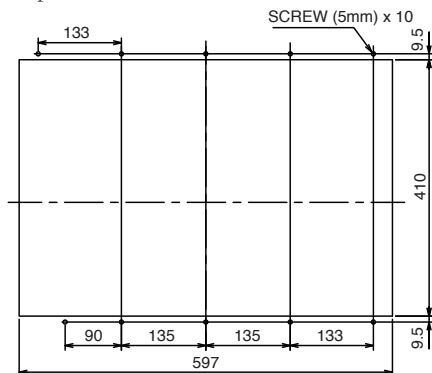
## Additional Features

- 24-Hour Use, 3-Year Warranty
- ECDIS Indicator
- Marine Alarm Buzzer

Dimensions (mm)



Panel aperture dimensions



## SPECIFICATIONS

<b>Models</b>	FDU2603W	FDU2603WT
<b>Cabinet Color</b>	Black	
<b>Panel Type</b>	VA	
<b>Backlight</b>	LED	
<b>Panel Size</b>	25.5" / 65 cm (649 mm diagonal)	
<b>Native Resolution</b>	1920 x 1200	
<b>Display Size (H x V)</b>	550 x 343.8 mm	
<b>Pixel Pitch</b>	0.2865 x 0.2865 mm	
<b>Display Colors</b>	16.7 million	
<b>Viewing Angles (H / V, typical)</b>	176°, 176°	
<b>Maximum Brightness</b>	490 cd/m <sup>2</sup>	470 cd/m <sup>2</sup>
<b>Contrast Ratio (typical)</b>	1500:1	
<b>Response Time (typical)</b>	20 ms (black-white-black)	
<b>Input Terminals</b>	<b>Video</b>	DVI-D 24 pin x 1, D-Sub mini 15 pin x 1
	<b>Monitor Control</b>	D-Sub mini 9 pin (female) x 1
	<b>Touch Panel Control</b>	- / D-sub 9 pin (male) x 1 USB upstream
<b>Digital Scanning Frequency (H / V)</b>	31 - 76 kHz, 59 - 61 Hz (VGA Text: 69 - 71 Hz)	
<b>Analog Scanning Frequency (H / V)</b>	31 - 81 kHz, 56 - 76 Hz	
<b>Power supply</b>	AC: Rating AC 100 - 240V (Operating: AC 85 - 264V), 50 / 60Hz, 1.2A (AC100V) / 0.6A (AC200V) DC: Rating DC+24V (Operating: +30% / -10%), 4.5A (DC24V)	
<b>Maximum Power Consumption (AC / DC)</b>	108 W	
<b>Power Management</b>	Power Save (VESA DPM and DVI DMPM), Eco Timer	
<b>Preset Modes</b>	Color Mode (Custom, Day, Dusk, Night)	
<b>OSD Languages</b>	English	
<b>Others</b>	Screen Size, Color Adjustment (Brightness, Temperature, Gamma, Hue, Brilliance, Outline Enhancer, Gain, Reset), Power Save, Power Indicator, Eco Timer, Input, Input Selection, Auto Sharpness, Signal Info, Monitor Info, All Reset, Key Lock, DDC/CI, Backlight Off Mode, Orientation, ECDIS Indicator	
<b>Dimensions</b>	624 x 456 x 86 mm	
<b>Net Weight</b>	14.5 kg	15.1 kg
<b>Operating Temperature / Humidity</b>	-15 - 55 °C / 10 - 90 % (R.H., non condensing)	
<b>Degree of Protection</b>	IP65 (Rear: IP22)	
<b>Compass Safe Distance</b>	Standard compass: 1.5 m Steering compass: 1 m	
<b>Certifications &amp; Standards</b>	Ship Classification: LR (UK), NK (Japan), ABS (USA), DNV (Norway) General: CB, CE, RoHS, WEEE, China RoHS, IEC60945, IEC62288, IEC61174, KC (K60950-1, K00022, K00024)	
<b>Supplied Accessories</b>	Setup manual, Utility disk, AR cloth	
<b>Warranty</b>	3 years	

## Touch Panel

<b>Touch Panel Type</b>	-	Projected Capacitive
<b>Communication Protocol</b>	-	USB
<b>Compatible OS</b>	-	Windows 8.1 (64-bit / 32-bit) / Windows 8 (64-bit / 32-bit) / Windows 7 (64-bit / 32-bit) /
<b>Multi Touch Capability</b>	-	Maximum 5 point

Please visit the product pages on [eizo.com](http://eizo.com) for information on ship classification.

**EIZO Corporation**

153 Shimokashiwano, Hakusan, Ishikawa 924-8566 Japan

Phone +81-76-277-6792 Fax +81-76-277-6793

[www.eizo.com](http://www.eizo.com)

All product names are trademarks or registered trademarks of their respective companies. DuraVision and EIZO are registered trademarks of EIZO Corporation. Specifications are subject to change without notice.

Copyright©2014 EIZO Corporation. All rights reserved.