

# User's Manual

## LA-011-W/LA-030-W

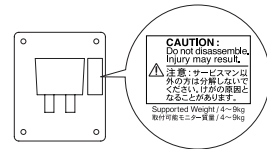
### Wall Mount Arm for LCD Monitor

Thank you very much for choosing an EIZO product.  
Please read this User's Manual carefully to familiarize yourself with safe and effective usage procedures.  
Please retain this manual for future reference.

## PRECAUTIONS

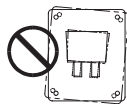
- To ensure personal safety and proper maintenance, please read this section and the caution statements on the unit.

[Location of the Caution Statements]  
(Example: LA-030-W)

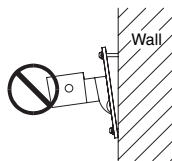


## WARNING

- **Do not attempt to install the unit yourself.**  
To install the monitor with this product, it is required the expert knowledge of building techniques. Refer the installation to qualified personnel.
- **Attach the applicable EIZO LCD monitor only.**  
Not doing so may cause the arm or monitor to fall, which may result in injury or equipment damage.
- **Affix the arm with the enclosed fixing screw(s).**  
Not doing so may cause the arm or monitor to fall, which may result in injury or equipment damage.
- **Affix the arm securely on the base.**  
Not doing so may cause the monitor to fall and result in injury or equipment damage.
- **Affix the arm on an appropriate base.**  
Do not affix the arm on such a base as shown below or on a weak base which cannot support the monitor or arm. Affixing the arm on these bases may cause the monitor to fall and result in injury.



Do not tilt



No opening (Example: LA-030-W)

- **Clamp the screws of the arm tightly.**  
If the arm becomes unstable, clamp the screws of the arm securely again. Loose clamping may cause the monitor to fall and result in injury or equipment damage.
- **Do not hang from or lean on the arm.**  
Doing so may cause the monitor to tumble or fall and result in injury or equipment damage.
- **When moving the arm, be sure not to pinch a finger between the moving parts.**
- **Do not disassemble.**  
The spring mechanism inside of the stand may result in injury or equipment damage when disassembling.
- **Attach the arm with another person.**  
Do not attach it alone. Doing so may result in injury or equipment damage.



# Package Contents

Please contact your local dealer for assistance if any of the listed items are missing or damaged.

- Arm Unit
  - Attaching-wall Part
  - Attaching-monitor Part
  - Arm Part (Enclosed to LA-030-W)
- Arm Cover, 2 pcs
- User's Manual
- Sheet (Compatible Screws List)
- Mounting Screws, 4 pcs each  
(For the compatible screws and monitors, refer to the 'Compatible Screws List'.)
- Fixing Screw(s) M4 x 16: 1 pc (LA-011-W) / 2 pcs (LA-030-W)  
(Fixing screw(s) is put into the different bag from the bag which the mounting screws are into.)

## NOTE

- Screws for fixing wall anchor on the wall are not enclosed. Prepare appropriate screws in advance.

# Compatible Monitors and Wall

Unit: mm (inch)

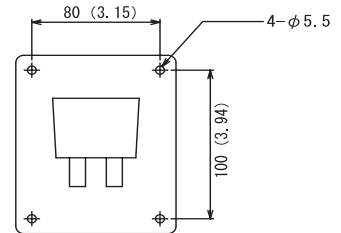
## ● Monitors

Supported Weight*	4.0kg to 9.0 kg
Hole Spacing	100 mm x 100 mm (VESA compatible)

\*Total weight of the monitor including the weight of the cables and optional peripherals.

## ● Wall

Thickness and Depth	Refer to right figure
Weight Capability	More than 130 kg

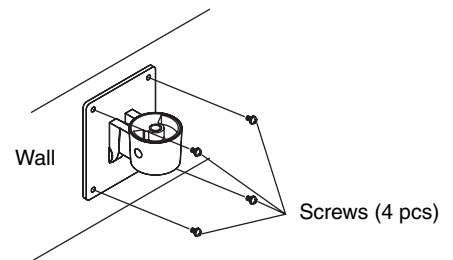


# How to attach the monitor

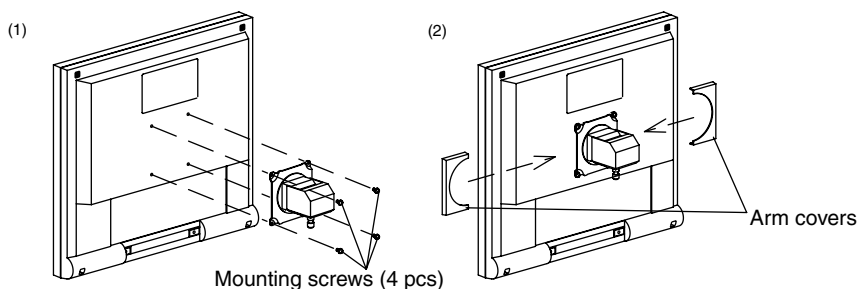
Use specified screws for tightening up referring to the 'Compatible Screws List'.

## How to attach the monitor: LA-011-W

1. Attach the Attaching-wall Part of the arm on the wall.  
Fix them with screws (4 pcs).



2. Attach the Attaching-monitor Part to the monitor.
  - (1) Attach the Attaching-monitor Part to the monitor with specific screws (4 points).
  - (2) Put in the arm covers to the shield plate with sliding them rightward or leftward.

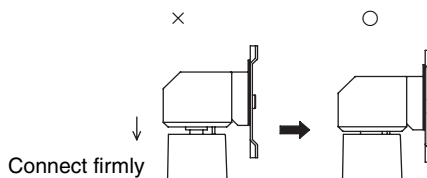


### 3. Attach the monitor to the wall.

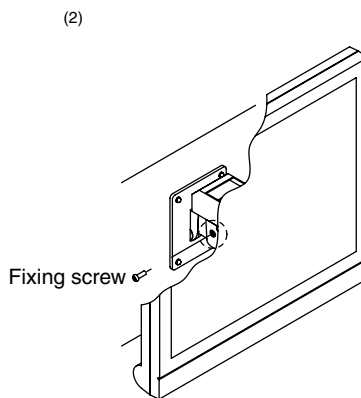
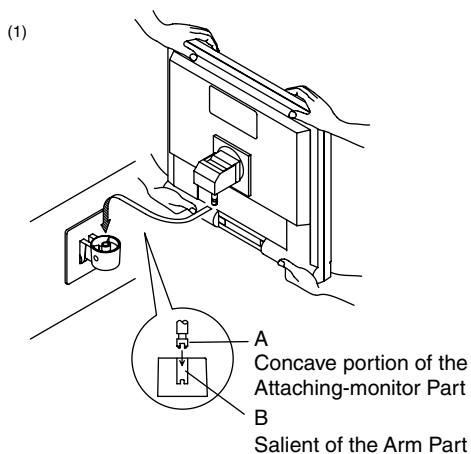
- (1) Connect the concave portion of the Attaching-monitor Part (below figure A) to the salient of the Attaching-wall Part (below figure B).

#### NOTE

- Check the Attaching-monitor Part is connected firmly.

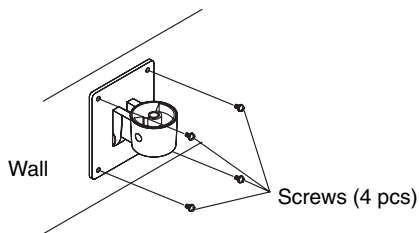


- (2) Fix with the enclosed fixing screw.



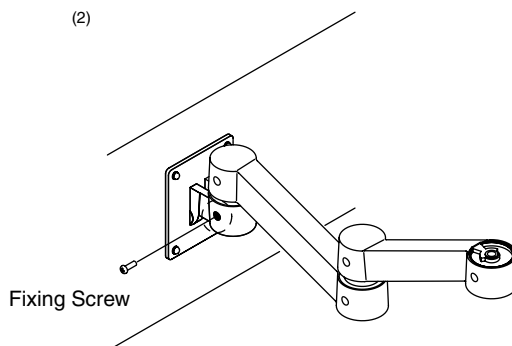
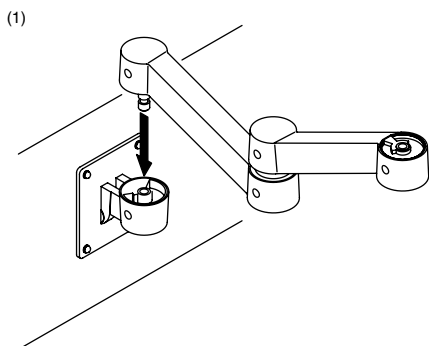
### How to attach the monitor: LA-030-W

1. Attach the Attaching-wall Part of the arm on the wall.  
Fix them with screws (4 pcs).



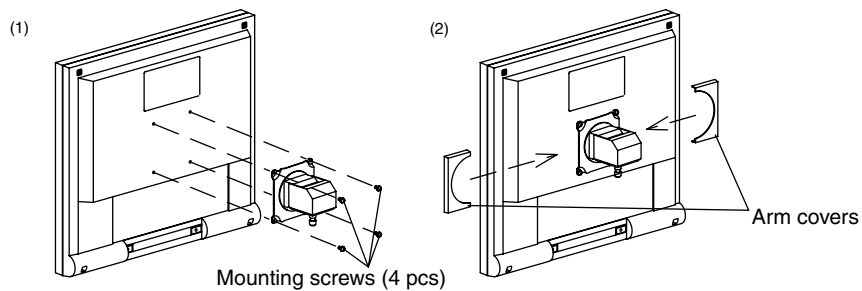
2. Attach the Arm Part to the Attaching-wall Part.

- (1) Connect the Arm Part to the Attaching-wall Part.
- (2) Fix with the enclosed fixing screw.



3. Attach the Attaching-monitor Part to the monitor.

- (1) Attach the Attaching-monitor Part to the monitor with specific screws (4 points).
- (2) Put in the arm covers to the shield plate with sliding them rightward or leftward.

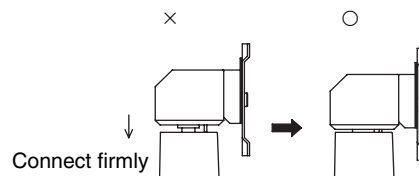


4. Attach the monitor to the wall.

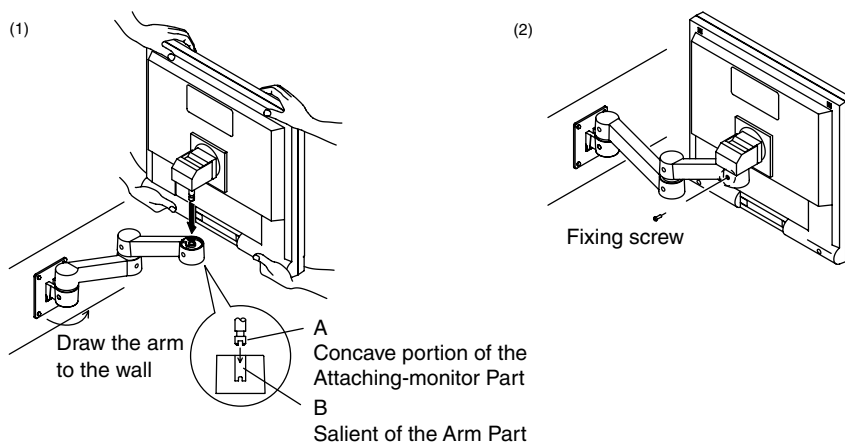
- (1) Draw the Arm Part to on side.  
Connect the concave portion of the Attaching-monitor Part (below figure A) to the salient of the Arm Part (below figure B).

**NOTE**

- Check the Attaching-monitor Part is connected firmly.



- (2) Fix with the enclosed fixing screw.

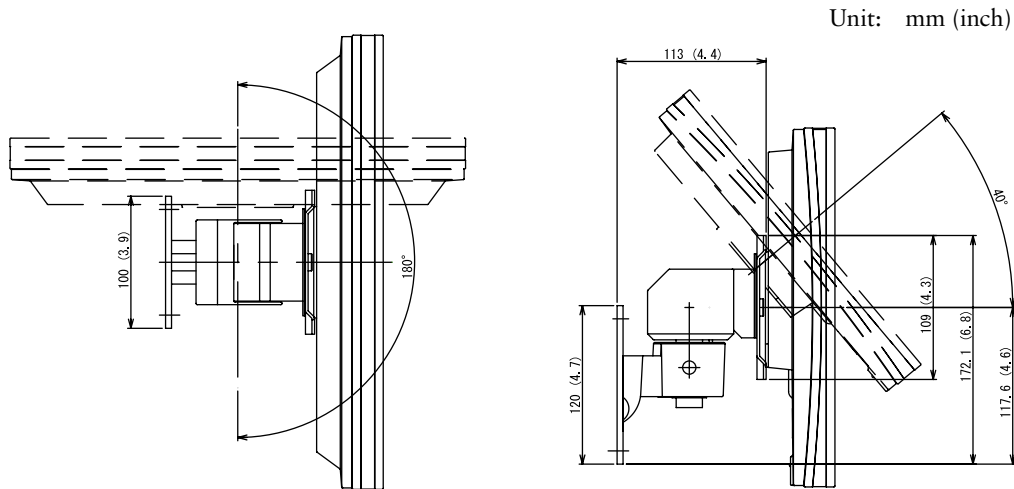


# Specifications

## LA-011-W

Dimension (W) x (H) x (D)	109 (4.3) x 172.1 (6.8) x 113 (4.4) mm (inch)
Weight	1.3 kg (2.9 lbs)

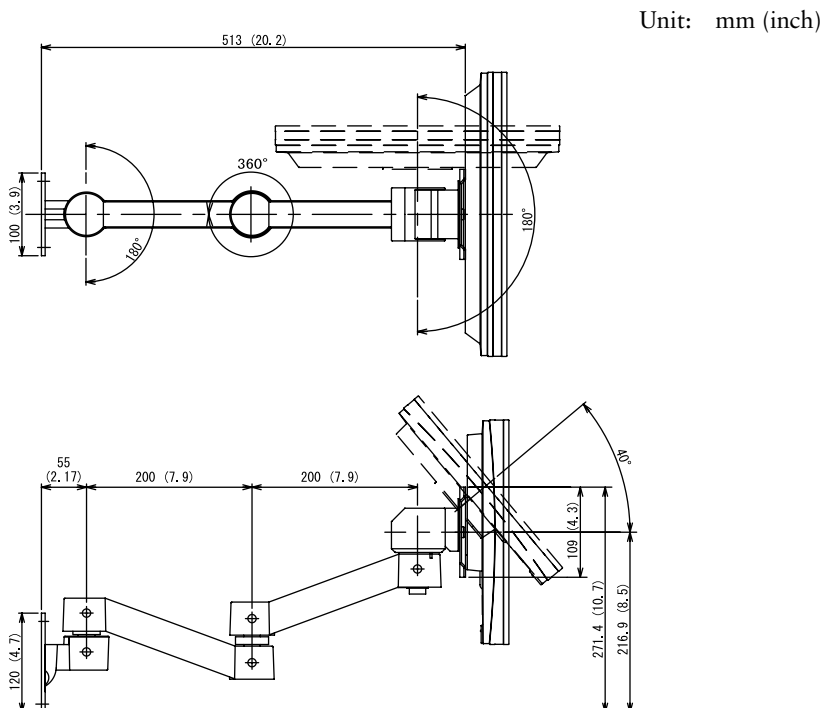
### ■ Dimensions



## LA-030-W

Dimension (W) x (H) x (D)	283 (11.1) x 271.4 (10.7) x 113 (4.4) ~ 513 (20.2) mm (inch)
Weight	2.8 kg (6.2 lbs)

### ■ Dimensions



### NOTE

- The value within the dimensions drawing is only for reference, and range of motion differs according to the installed condition.

# LIMITED WARRANTY

EIZO NANA CORPORATION (“EIZO”) and EIZO authorized distributors warrant, subject to and in accordance with the terms of this warranty, to the original purchaser who purchased the product from EIZO or EIZO authorized distributors that this product shall be free from defects in material and workmanship for a period of one (1) year from the date of purchase, and that, in the event of malfunction of the product during the warranty period attributable directly to defective material and/or workmanship, EIZO and EIZO authorized distributors will, at their sole discretion, either repair or replace the defective product. EIZO and EIZO authorized distributors shall bear no other liability or obligation under this warranty. EIZO and EIZO authorized distributors cease to bear any obligation under this warranty with regard to any parts of the product upon expiration of five (5) years after the production of such parts is discontinued. This warranty is valid only in the countries or territories where the EIZO authorized distributors are located. This Limited Warranty does not restrict legal rights as granted by implied warranty against the vendor.

Furthermore, EIZO and EIZO authorized distributors shall have no obligation under this warranty whatsoever in respect of any of such defects, or in any of such cases, as set forth below:

Any defect of the product caused by freight damage, modification, alteration, abuse, misuse, accident, incorrect installation, disaster, faulty maintenance and/or improper repair by third party other than EIZO and EIZO authorized distributors.

To obtain service under this warranty, the original purchaser must deliver the product, freight prepaid, in its original package or other adequate package affording an equal degree of protection, assuming the risk of damage and/or loss in transit, to the local EIZO authorized distributor. The original purchaser must present proof of purchase establishing the date of purchase of the product when requesting warranty service.

Warranty period for any replaced and/or repaired product under this warranty shall expire at the end of the original warranty period.

EIZO AND EIZO AUTHORIZED DISTRIBUTORS MAKE NO FURTHER WARRANTIES, EXPRESSED OR IMPLIED, WITH RESPECT TO THE PRODUCT AND ITS QUALITY, PERFORMANCE, MERCHANTABILITY OR FITNESS FOR ANY PARTICULAR USE. IN NO EVENT SHALL EIZO OR EIZO AUTHORIZED DISTRIBUTORS BE LIABLE FOR ANY INCIDENTAL, INDIRECT, SPECIAL, CONSEQUENTIAL OR OTHER DAMAGE WHATSOEVER (INCLUDING, WITHOUT LIMITATION, DAMAGES FOR LOSS OF PROFIT, BUSINESS INTERRUPTION, LOSS OF BUSINESS INFORMATION, OR ANY OTHER PECUNIARY LOSS) ARISING OUT OF THE USE OR INABILITY TO USE THE PRODUCT OR IN ANY CONNECTION WITH THE PRODUCT, WHETHER BASED ON CONTRACT, TORT, NEGLIGENCE, STRICT LIABILITY OR OTHERWISE, EVEN IF EIZO OR EIZO AUTHORIZED DISTRIBUTORS HAVE BEEN ADVISED OF THE POSSIBILITY OF SUCH DAMAGES. THIS EXCLUSION ALSO INCLUDES ANY LIABILITY WHICH MAY ARISE OUT OF THIRD PARTY CLAIMS AGAINST THE ORIGINAL PURCHASER. THE ESSENCE OF THE PROVISION IS TO LIMIT THE POTENTIAL LIABILITY OF EIZO AND EIZO AUTHORIZED DISTRIBUTORS ARISING OUT OF THIS LIMITED WARRANTY AND/OR SALES.