

Touch Panel

Home Button



Audio Jack



Power Button SIM / SD Card Door Volum Button



Rear Camera Lens

Micro USB

Features

- Intel Bay Trail-T Processor
- 8" display
- Ultra Slim & Compact Design (< 450g)
- DICOM Calibrated Screen (Optional)
- 10 points PCT Touch Screen

Specifications

Main Specifications

Processor	Intel® Bay Trail-T 3745D Processor
System Memory	2G DDR3L-RS, 1333MHz
OS Support	Windows Embedded 8.1 Pro (optional)
System Storage	32GB eMMC NAND
Navigation	GPS Broadcom BCM4752
Battery Capacity	5000mAh (18.5Wh / 3.7V)
Power Supply	5V/4A with 2.5mm DC-Jack

Display

Size	8" Display
Resolution	1024x768
Max. Colors	262K
Luminance (Typ.)	300 cd/m2
View Angle (Typ.)	170°(H) / 170°(U)
Touch Screen	10 points touch

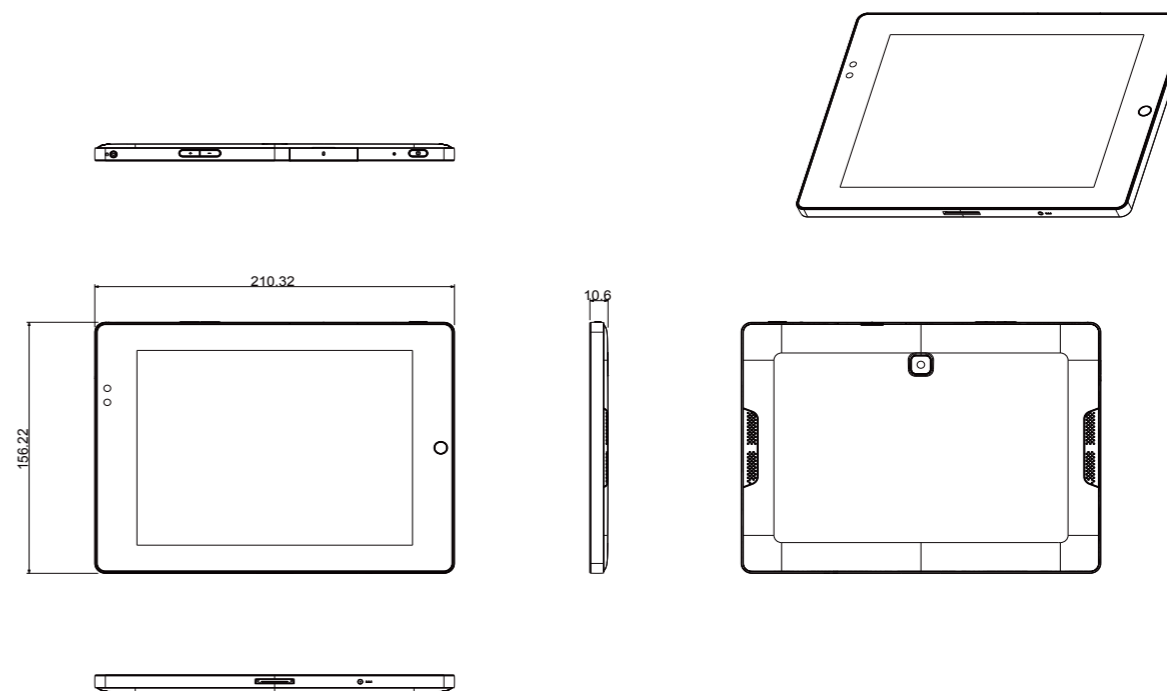
I/O

I/O- Tablet	1 x DC-in 1 x Micro SD
Audio	1 x 3.5mm Audio Jack
USB	1 x Micro USB (Host mode)
Wireless	Wi-Fi 802.11b/g/n , 2.4GHz/BT V4.0
Camera	5MAF Rear Camera, 2MP Front Camera
Speaker	1W X 1 Mono Speaker, Single microphone

Mechanical and Environmental

Power consumption	Full Loading: 3Watts
Rear Cover	Plastic
Operating Temperature	0°C ~ 40°C(32°F ~104°F)
Storage Temperature	-20°C ~ 60°C(-4°F ~140°F)
Net Weight	0.57kg (1.26lb)
Cross weight	1kg (2.20lb)
Dimensions(W x D x H)	180 x 250 x 30 mm
Certification	CE/FCC Class B, EN60601-1 UL 60601-1

Dimension / Unit: mm



Ordering Information

- » ONYX-MD80W-A1-1010
8" Tablet.windows.Z3745D.micro USB.ear phone jack.32G EMMC NAND.2G DDR3L.PCT