

# iSeries Monitor

Disinfectable - Fanless - Maintenancefree - Modular



Multitouchscreen

## Description / Applications

### Features :

- Modular high-end – Medical - Monitor with complete closed housing (IP65)
- Disinfectable and washable , fanless , sterile , fail-safe and maintenancefree
- Durable and error-free even under critical environmental conditions
- Fast data input via functionkeys as well as optional projected capacitive Touchscreen with Multitouchfunction
- Various input-devices are connectable
- Ports : DVI, VGA
- Passive cooling concept **without** ventilation-slot and **without** fan
- Slim aluminium housing with especially plain surface, protected all around
- Medical suited mounting- and fastening concept with VESA 100 Norm

### Applications:

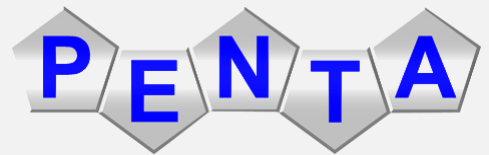
- Frontend for eg. OR - (surgery, anesthesia, radiology), air-locks , sterile good accommodation and clean-space
- Visualising / documentation
- ultrasonic
- Dual-Head (illustration of two or more applications) in combination with Medical Computer

### Settings : OSD Functions

- Via Functionkeys on the foilkeys the following values are adjustable :
  1. Color Setting : Brightness, Contrast, Color Adjust, Color Temp, Auto Color
  2. Image Setting : Gamma, Auto Adjust, Phase, Clock, Sharpness
  3. Position Setting : H. Position, V Position
  4. OSD Setting : OSD H. Position, OSD V. Position, OSD Timer
  5. Language Setting : English, Korean, German
  6. Misc. Setting : Signal Source, Reset

### Options :

- Mountings for OR – carriers; walls; ceiling failitys etc.
- Remote Control Interface to Host-PC
- Medical keyboards and mice (IP65); Scanner and reader



Where Innovation Meets Quality

## Technical Data iSeries Monitor

### Systemdata :

	18,5"	21,5"
Resolution	1366 x 768	1920 x 1080
Contrast Ratio	1.000:1	1000:1
Viewing Area	170/178	170/178
Pixel Size	0,294 x 0,294	0,248 x 0,248
Weight	8,0 kg	9,3 kg
Brightness		250 cd/m <sup>2</sup>
Colors		16,7 Mio.
Response Time		5 ms
Power Supply		240 VAC or 12 VDC
Mounting		VESA 100

### Interfaces :

Touch (option)	projected capacitive Touchscreen, without loss of brightness on the Display
VGA	15pin HD DSUB
DVI	DVI-I
USB	USB 2.0 Interface (for connecting the Touchscreen to Host-PC)

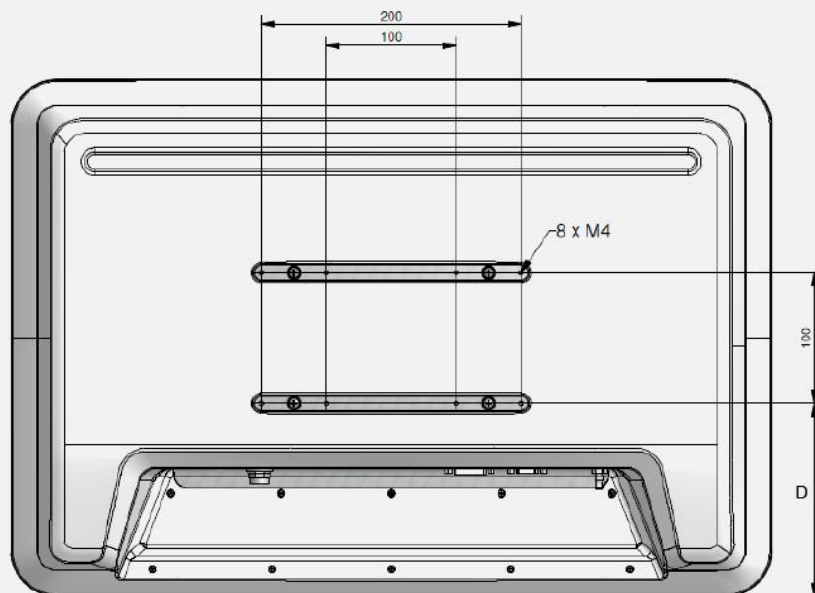
### Environment conditions :

Operating-Temperature	0°C to + 40°C
Storage-Temperatur	- 10°C to + 60°C
Humidity (Operating)	10% to 90% relative humidity (not condensing)
Humidity (Storage)	5% to 95% relative humidity (not condensing)

### PENTA MEDICAL iMonitor Partnumbers :

part-No.	Description
MIS-18-AG0-001	Medical Monitor 18,5", (1366x768), Glassfront
MIS-18-AT0-001	Medical Monitor 18,5", (1366x768), Touchscreen
MIS-21-AG0-001	Medical Monitor 21,5",HD1080 (1920x1080), Glassfront
MIS-21-AT0-001	Medical Monitor 21,5",HD1080 (1920x1080), Touchscreen

## Sizes iSeries Monitor



	A	B	C	D
18,5"	525,6	89,9	363,7	167,85
21,5"	585,6	95,9	395,7	147,9

All sizes in mm