



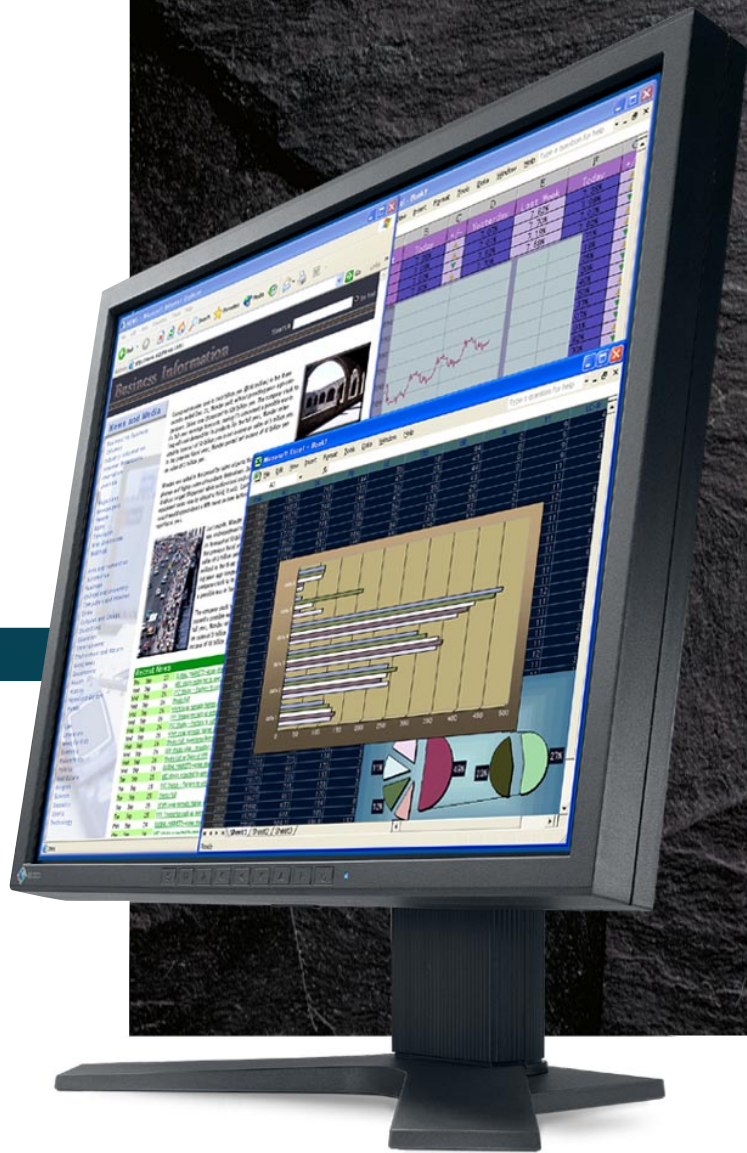
Quality
on Display

FlexScan® L768 FlexScan® L568

48 cm (19") & 43 cm (17")
COLOR LCD MONITORS

Slimmer Choices

EIZO introduces two new thin LCD monitors designed to meet the varying needs of corporate environments. The 19" FlexScan L768 and the 17" FlexScan L568 offer a super-slim bezel design that is even thinner than previous EIZO models. With 1500:1 (L568) / 1000:1 (L768) contrast ratios and 250 cd/m² brightness, everything stands out sharply and clearly — images, graphs and text. Furthermore, extensive image control functions, including EIZO's 5-mode Fine Contrast function and detailed gamma correction provide precise image adjustment capabilities. A five-year warranty, unique in the industry, minimizes total cost of ownership.



SLIM AND CONVENIENT

The bezels on these stylish monitors are extremely thin: for the L768, a mere 15 mm top and bottom and 13 mm on the sides, and for the L568, 13 mm top and bottom and 11 mm on the sides. This not only saves space on crowded desktops, it provides a near-seamless view in multi-panel configurations. And with its 100 mm height-adjustable stand, 90° pivot, and tilt/swivel capabilities, getting the best viewing position is easy.

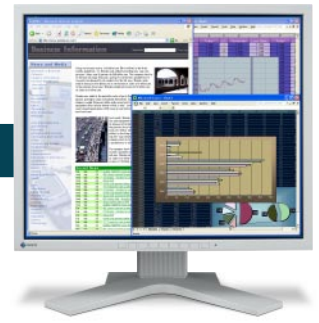
DETAILED IMAGE CONTROL

The high quality image reproduction of these monitors is complemented by extensive color control features. Color temperature can be adjusted in 500 K increments from 4,000 to 10,000 K (including 9,300 K). Independent control of hue, saturation and gain are also provided for achieving maximum color performance.

FINE CONTRAST

A one-touch button on the front panel accesses five specialized image adjustment modes: Text, Picture, Movie, Custom and sRGB, each with its own settings for parameters such as color temperature, brightness and saturation. Using the bundled ScreenManager Pro for LCD¹ software's Auto Fine Contrast function, any mode can be assigned to an application. When the application is opened, the screen changes automatically to that mode.

FlexScan® L768 FlexScan® L568



**48 cm (19") & 43 cm (17")
COLOR LCD MONITORS**

Additional Features

DESKTOP VIEWER

This EIZO-designed utility² can display a JPG, BMP or TIFF image, or any selected part of the screen, in an overlay window, as well as enlarge or reduce it and alter its brightness, contrast, saturation, hue and gamma values.³

GAMMA CORRECTION

Ensures smooth, accurate color tones by converting the 8-bit PC data to 10-bit, selecting the ideal gamma values, and reassigning it back to 8-bit for display.

REGULATORY STANDARDS

Complies with leading industry standards, including TCO'03, TÜV Ergonomics, and EPA Energy Star. It also conforms to EIZO's own strict Eco Products 2004 environmental criteria for design, manufacture, packaging, and usage.



Accessories

A variety of accessories are available for enhancing convenience and flexibility, such as a panel protector, client management software, and various mounting arms and stands. For more information, please see www.eizo.com/products/accessories/

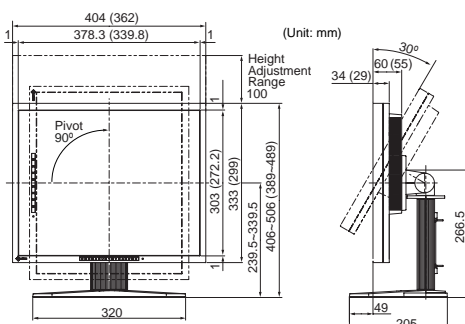
Support

EIZO and its authorized distributors offer a five year limited warranty for the FlexScan L768 and L568.



The usage time is limited to 30,000 hours or less, and the warranty period of the LCD panel and backlight is limited to three years from the date of purchase.

Dimensions



(Figures for the L568 are indicated in parenthesis when they differ from the L768.)

Specifications

Panel Size and Type	L768: 48 cm (19") TFT color LCD panel L568: 43 cm (17") TFT color LCD panel
Available Cabinet Colors	Gray, Black
Pixel Pitch	L768: 0.294 × 0.294 mm, L568: 0.264 × 0.264 mm
Display Colors	16.77 million from a palette of 1.06 billion
Viewing Angles (H, V)	178°, 178° (at contrast ratio of 10:1)
Scanning Frequency (H, V)	Analog: 24.8 – 80 kHz, 50 – 75 Hz Digital: 31 – 64 kHz, 59 – 61 Hz (VGA Text: 69 – 71 Hz)
Native Resolution	1280 × 1024
Brightness / Contrast Ratio	250 cd/m ² / L768: 1000:1, L568: 1500:1
Dot Clock	Analog: 135 MHz, Digital: 108 MHz
Response Time	L768: 20 ms (typical), L568: 25 ms (typical)
Input Signals	RGB Analog, DVI Standard 1.0
Input Terminals	D-Sub mini 15 pin, DVI-D 24 pin (switchable)
USB Ports	1 upstream
Active Display Size (H × V)	L768: 376 × 301 mm, L568: 338 × 270 mm
Viewable Image Size	L768: 481 mm (diagonal), L568: 432 mm (diagonal)
Screen Control	ScreenManager®, ScreenManager® Pro for LCD ¹ , One Touch Auto Adjustment Function
Power Requirements	AC 100 – 120 V, 200 – 240 V: 50 / 60 Hz
Power Management	VESA DPMS, DVI DMPM
Power Consumption	40 W (maximum)
Power Save Mode	Less than 2 W
OSD Languages	English, French, German, Italian, Japanese, Spanish, Swedish
Height Adjustment Range	100 mm
Dimensions (W × H × D)	L768: With Stand: 404 × 406 – 506 × 205 mm Without Stand: 404 × 333 × 60 mm L568: With Stand: 362 × 389 – 489 × 205 mm Without Stand: 362 × 299 × 55 mm
Net Weight	L768: With Stand: 6.8 kg, Without Stand: 4.8 kg L568: With Stand: 5.8 kg, Without Stand: 3.7 kg
Tilt / Swivel / Pivot	30° Up, 0° Down / 35° Right, 35° Left / 90°
Certifications and Standards	TCO'03 (gray), TCO'99 (black), TÜV/Ergonomics (including ISO 13406-2), TÜV/GS, c-Tick CE, CB, UL (cTÜVus), CSA (cTÜVus), FCC-B, Canadian ICES-003-B, TÜV/S, VCCI-B, EPA ENERGY STAR®, EIZO Eco Products 2004
Supplied Accessories	AC power cord, signal cables (D-Sub – D-Sub, DVI-D – DVI-D), USB cable, EIZO LCD Utility Disk (ScreenManager® Pro for LCD, ICC Profile, HTML user's manual), 4 screws for mount option, warranty registration card
Warranty	Five Years

¹ScreenManager Pro for LCD is compatible with the Windows® 98SE/Me/2000/XP operating systems only. ²Desktop Viewer is compatible with the Windows® 2000/XP OS only. ³Support for editing functions varies with the graphics board used.

Specifications are subject to change without notice.

Copyright© 2006 Eizo Nanao Corporation. All rights reserved. All product names are trademarks or registered trademarks of their respective companies. FlexScan, EIZO, and ScreenManager are registered trademarks of Eizo Nanao Corporation.

EIZO NANA O CORPORATION

153 Shimokashiwano, Hakusan, Ishikawa 924-8566 Japan

Phone +81-76-277-6792 Fax: +81-76-277-6793

www.eizo.com

